

SYD-125 DUMBWAITER

SYD 125-Dumbwaiter is one of the most superior and cost effective machines build specially for industrial applications. It has superior working cycle which is best in class and ideal for applications @ resorts, hotels, restaurants hospitals etc.

Technical Specifications

Static Load (Kg)

- 3000

Gear Ratio

- 1/41

Duty Load (Kg)

- 500 / 1000

Power (Kw)

- 3.7 / 5.5

Speed (m/sec)

- 0.3

Sheave Range (mm)

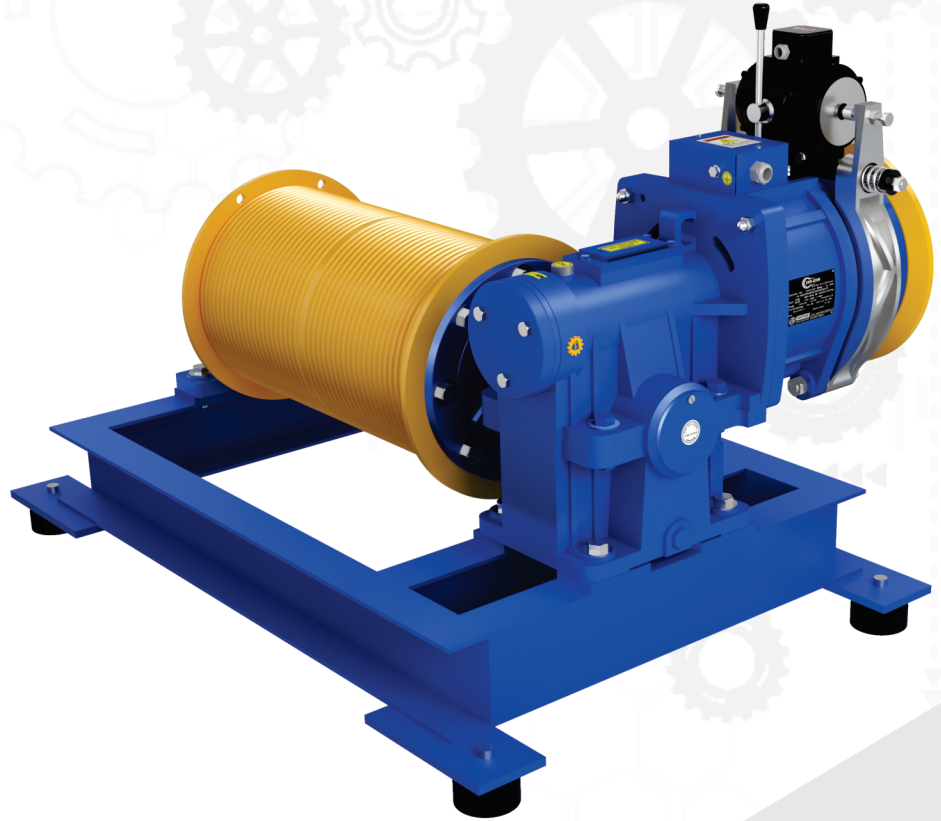
- DRUM

Brake Voltage (D.C)

- 110 V

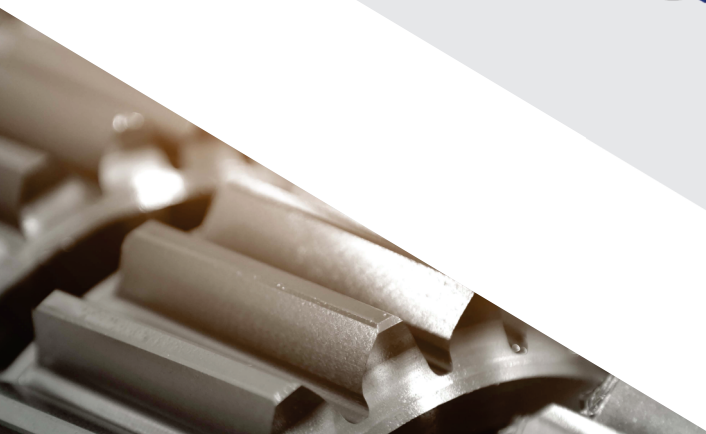
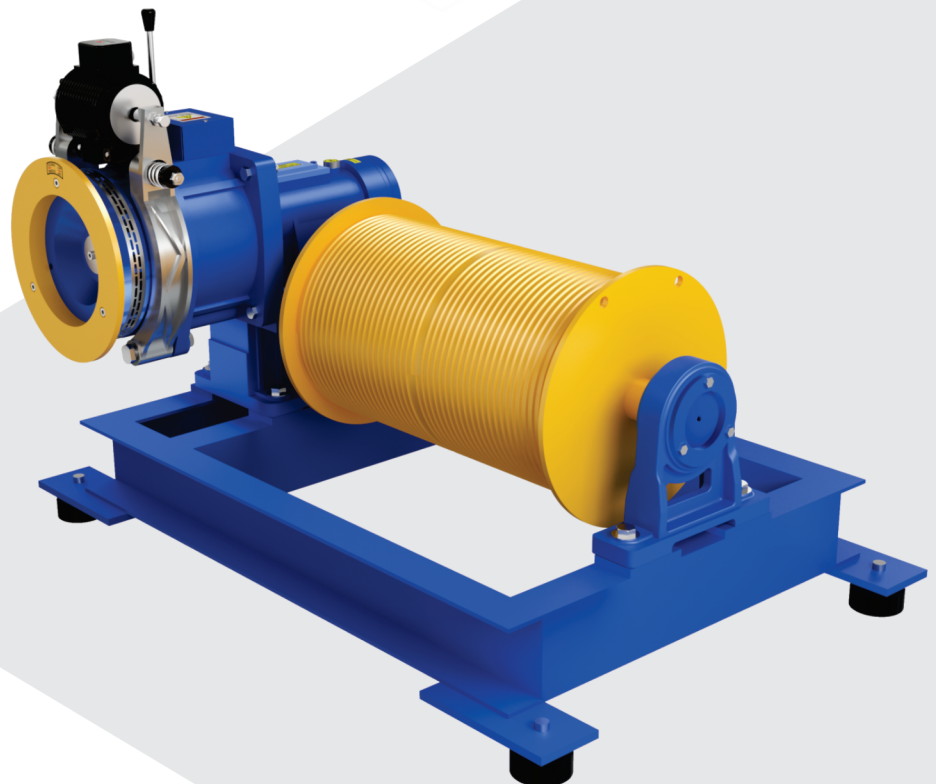
Oil Capacity (Ltr)

- 3

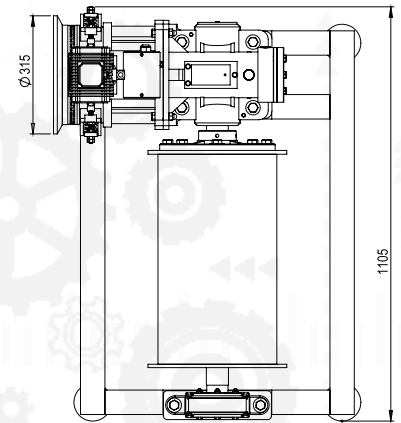
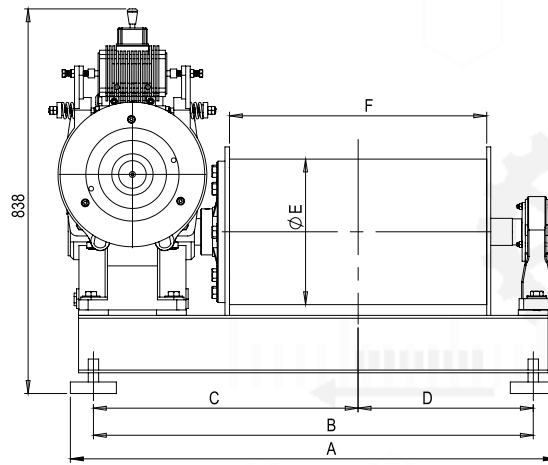
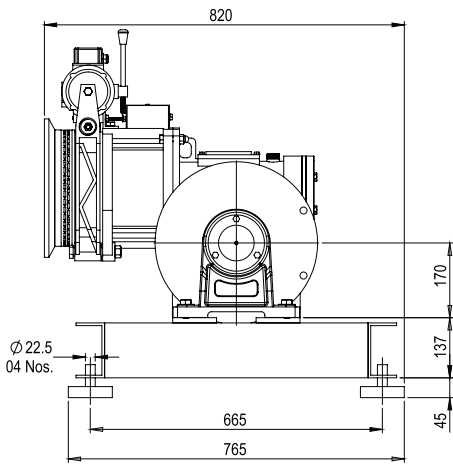
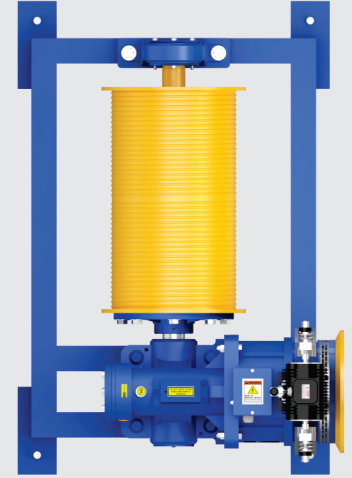
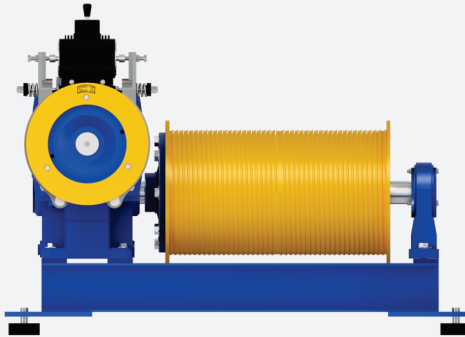
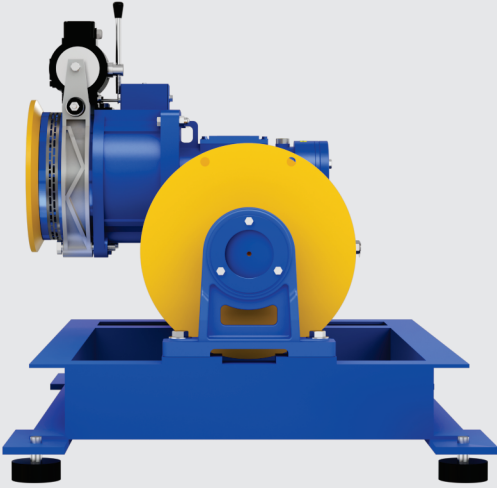


ELECTRO MAGNETIC BRAKE

| Voltage (V) | Current (A) | Watt (W) |
|-------------|-------------|----------|
| 110 | 1.16 | 128 |



Superior & Cost Effective



*When it comes to elevator gear machinery,
Always Choose **SHYPOD ENGINEERS***

