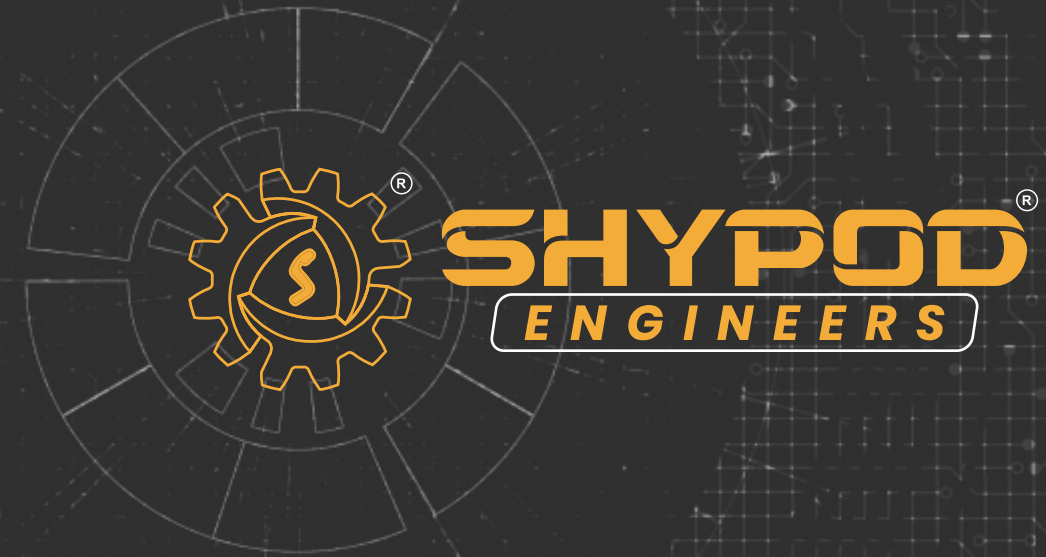
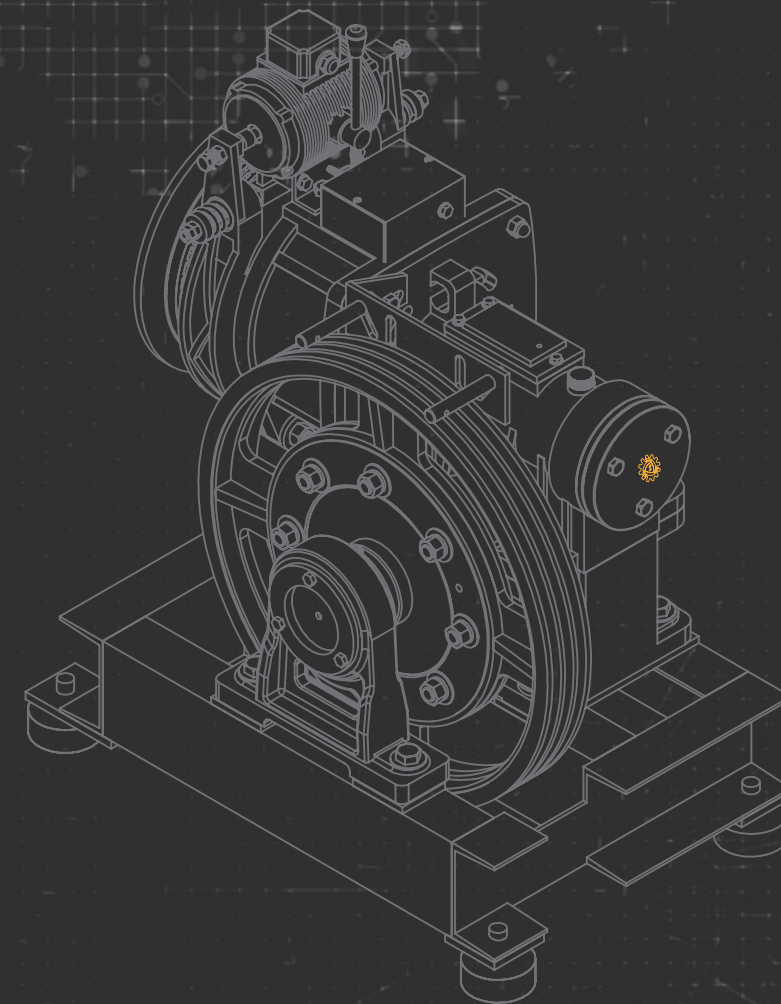


Experience PIONEER in
GEARED MACHINERY



Gearing the New Age
CONSTRUCTION



Plot No. 9 Asarwa Industrial Estate, Nr. Tata Godown,
Nr. Chamunda Bridge, Asarwa, Ahmedabad - 380016

M.: +91 95588 04490

shypodengineers@gmail.com

www.shypodengineers.com

Manufacturer of Elevator Machines, Electrical Motor & Spares



Pioneering Solutions for

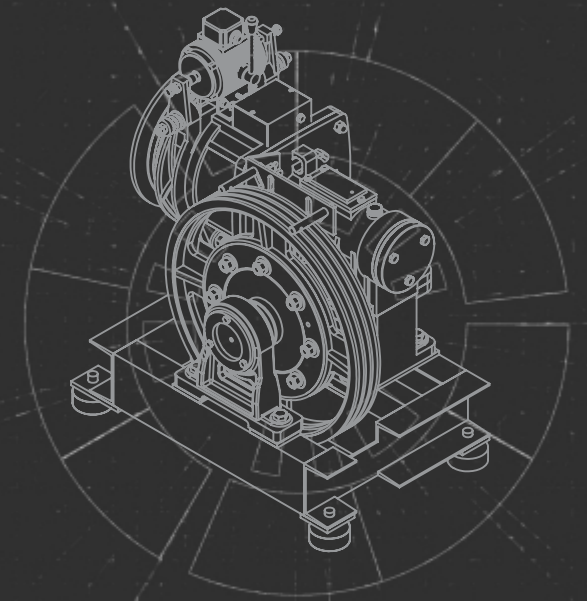
ELEVATOR INFRASTRUCTURE

We are one of the leading and accomplished companies in the Production and Quality Manufacturing of Gearless Elevator Machines in the market today, always striving to provide pioneering and innovative solutions.

When it comes to
GEARED MACHINERY



Trust the
EXPERTS



ABOUT US

Shypod Engineers is a market leader in elevator traction gears industry. In our commitment to offer only the best technology. Shypod manufactures its elevator traction machine with world class quality equipments and state of the art infrastructure. In short span of time we have successfully developed gears that meet market requirements for high speed as well as high load carrying capacity lifts and elevators.

The elevators and accessories are highly demanded in various commercial and industrial establishments such as shopping malls, commercial complexes and hospitals. being a quality conscious and reputed name, we assure premium quality of gears for elevators and assure that quality is never compromised at our end.



VISION

Pioneering new business avenues and opportunities by providing world class and supreme gear systems overcoming ever challenge.



MISSION

Trust inspired by quality, value and unwavering commitment towards customer satisfaction.

PRODUCT RANGE

Shypod Engineers is a market leader in elevator traction gears industry. In our commitment to offer only the best technology. Shypod manufactures its elevator traction machine with world class quality equipments and state of the art infrastructure.

1



SYD-100

SYD 100 is a new age design elevator gear machine which is compact, powerful and user friendly. It is widely used in application for homes and small spaces.

Compact & Powerful

SYD-125S

SYD-125S is one of the revolutionary machines which is highly durable and reliable, easy to install, maintenance free and one of the best top seller machines in the category.

Top Seller & High in Demand

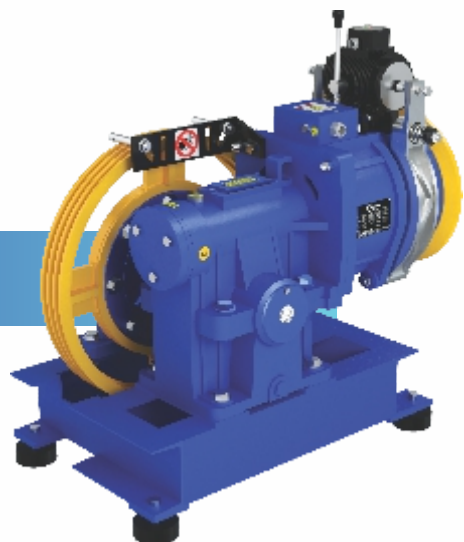


2

SYD-125N

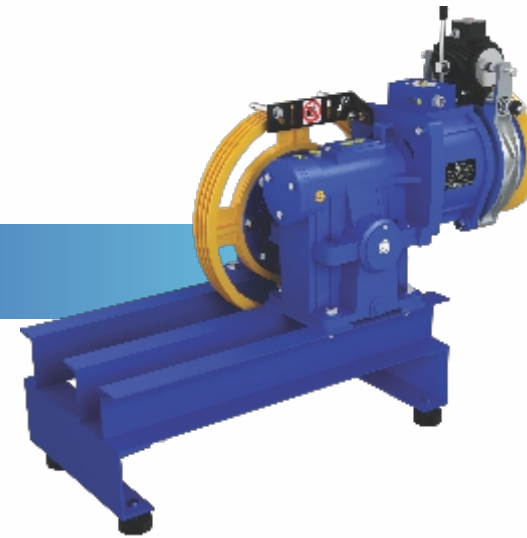
SYD-125N is one of the top seller machines which is always high in demand, maintenance free, easy to install and reliable. The prominent feature of this machine is, it is customizable as per requirement.

Highly Customizable



3

4



SYD-125N-CTOC

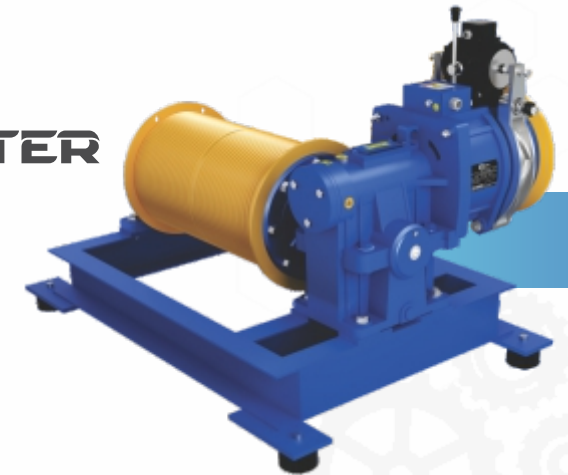
SYD-125N-CTOC is a new age machine which is driven by technology. It is user friendly, powerful and can be customized for specific cabin size.

Technology Driven Machine

SYD-125 DUMBWAITER

SYD 125-Dumbwaiter is one of the most superior and cost effective machines build specially for industrial applications. It has superior working cycle which is best in class and ideal for applications @ resorts, hotels, restaurants hospitals etc.

Superior & Cost Effective



5

6



SYD-135

SYD 135 is the most advanced and popular machine which is specially designed for high rise buildings with a capacity to hold more than 6 passengers. It is a new age heavy duty machine which is designed with gen-next technology.

The Most Advanced



SYD 100 is a new age design elevator gear machine which is compact, powerful and user friendly. It is widely used in application for homes and small spaces.

Technical Specifications

Static Load (Kg)

- 2000

Gear Ratio

- 1/40

Duty Load (Kg)

- 340

Power (Kw)

- 3.7

Speed (m/sec)

- 0.63

Sheave Range (mm)

- 300 / 400 / 530

Brake Voltage (D.C)

- 110 V

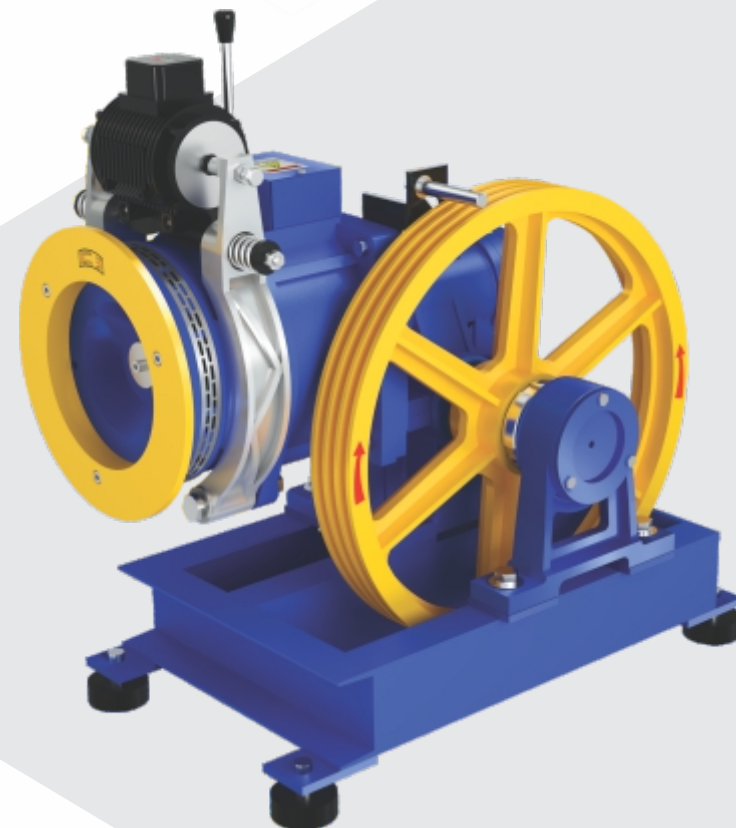
Oil Capacity (Ltr)

- 3.0

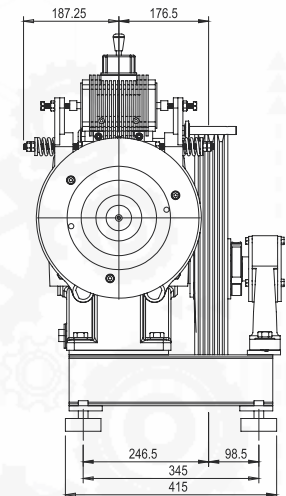
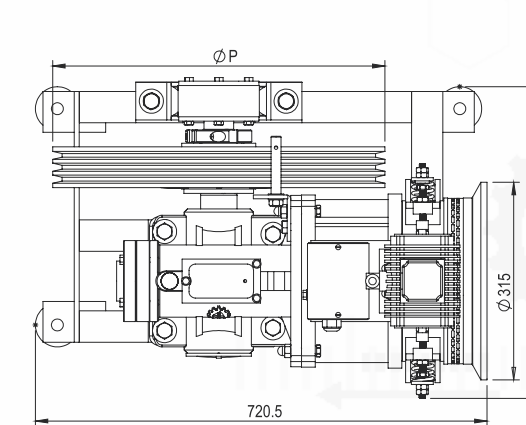
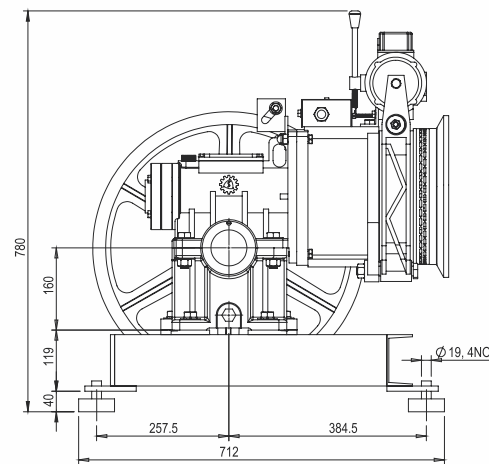
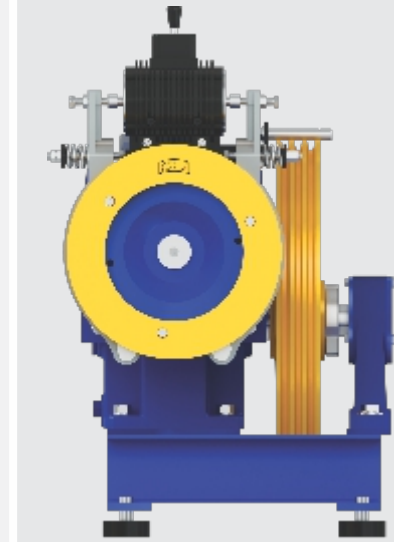
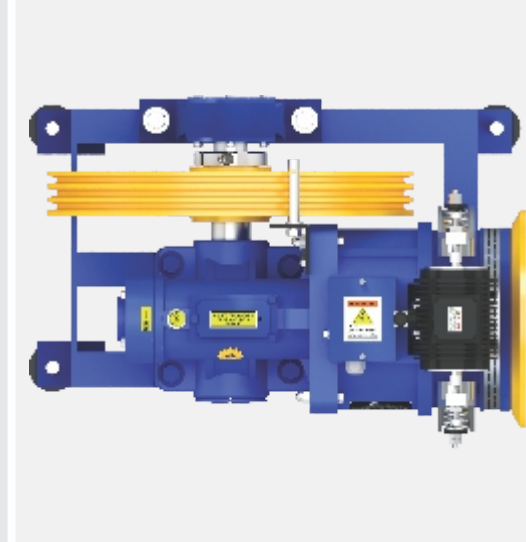


ELECTRO MAGNETIC BRAKE

Voltage (V)	Current (A)	Watt (W)
110	1.16	128



Compact & Powerful



Duty Load		Roping	Async. Speed m/sec	Ratio	400V		50 Hz		Travelling - 20 mtr
Person	Kg.				Kw	HP	RPM (Async.)	Rate Current (A)	
5	340	1:1	0.63	1/40	3.7	5	930	8.8	530 X 13 mm X 3 Grv.

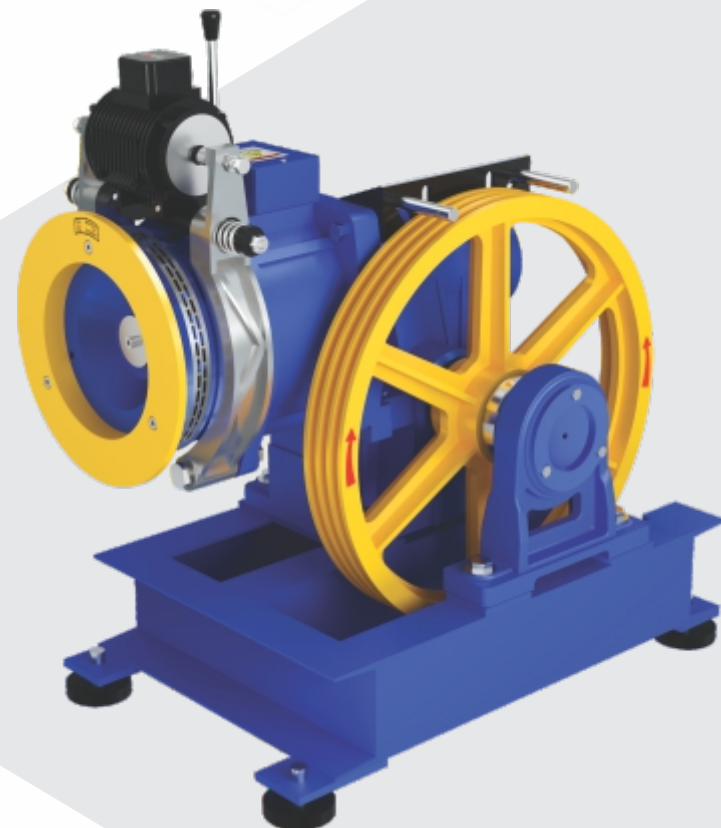
CONTROLLER - ACVVVF Drive



SYD-125S is one of the revolutionary machines which is highly durable and reliable, easy to install, maintenance free and one of the best top seller machines in the category.

Technical Specifications

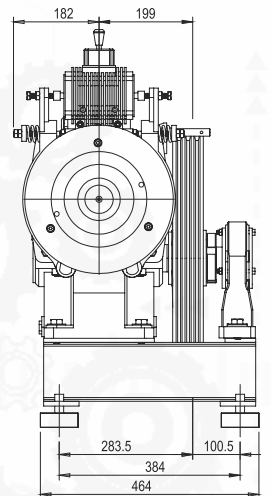
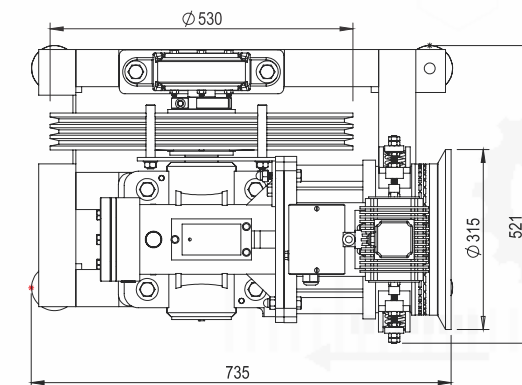
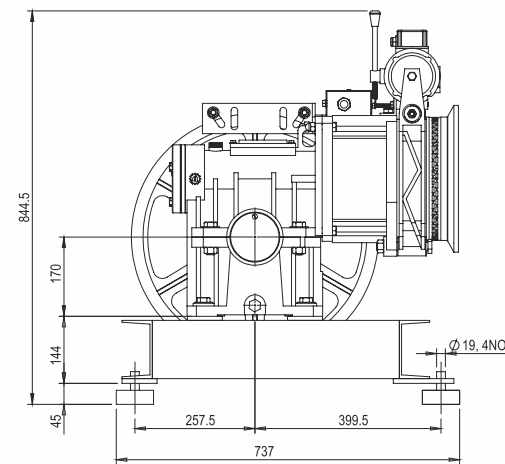
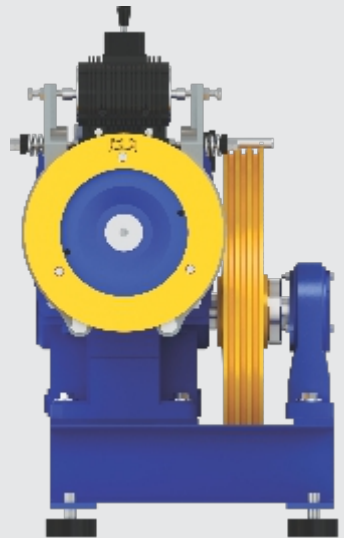
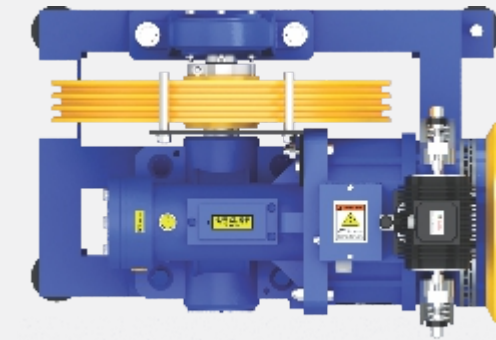
- Static Load (Kg)
 - 3000
- Gear Ratio
 - 1/41
- Duty Load (Kg)
 - 408
- Power (Kw)
 - 3.7
- Speed (m/sec)
 - 0.63
- Sheave Range (mm)
 - 530
- Brake Voltage (D.C)
 - 110 V
- Oil Capacity (Ltr)
 - 3.0



ELECTRO MAGNETIC BRAKE

Voltage (V)	Current (A)	Watt (W)
110	1.16	128

Top Seller & High in Demand



Duty Load		Roping	Async. Speed m/sec	Ratio	400V		50 Hz		Travelling - 26 mtr
Person	Kg.				Kw	HP	RPM (Async.)	Rate Current (A)	
6	408	1:1	0.63	1/41	3.7	5	930	8.8	530 X 13 mm X 3 Grv.

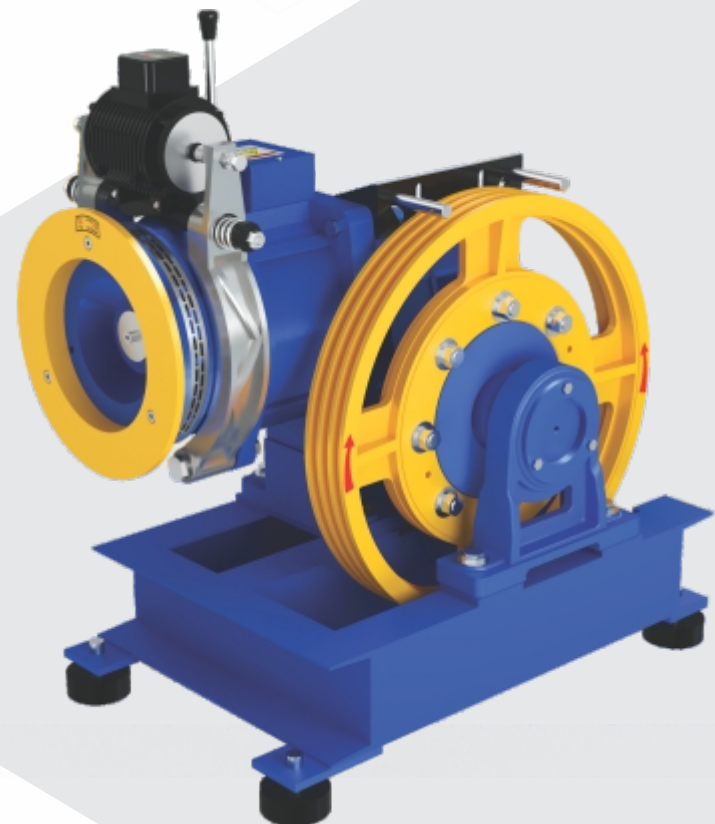
CONTROLLER - ACVVVF Drive



SYD-125N is one of the top seller machines which is always high in demand, maintenance free, easy to install and reliable. The prominent feature of this machine is, it is customizable as per requirement.

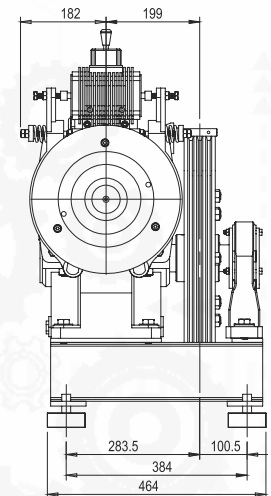
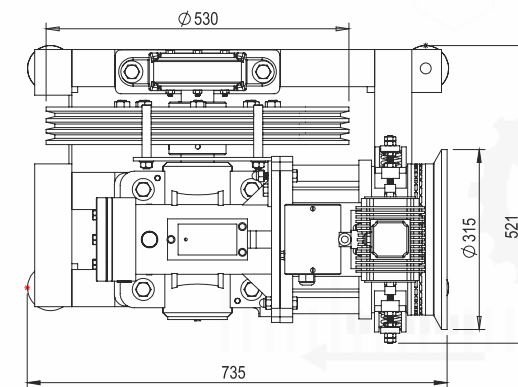
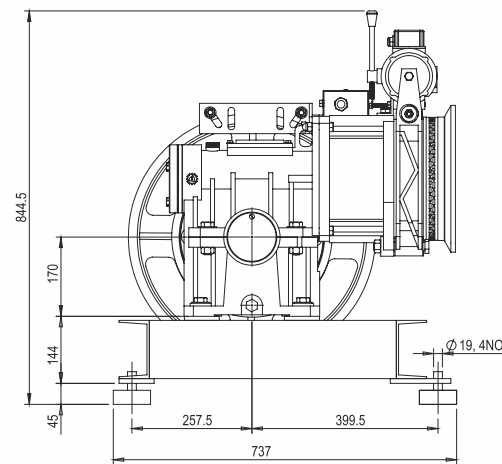
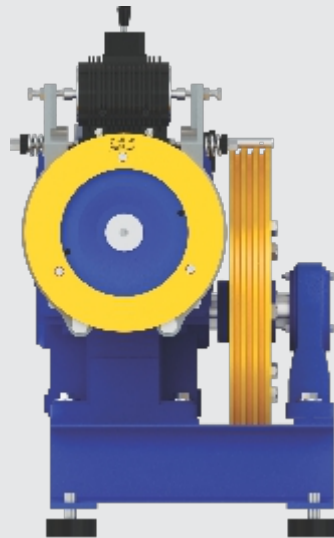
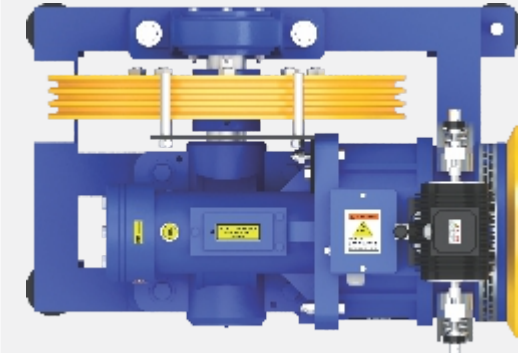
Technical Specifications

- Static Load (Kg)
 - 3000
- Gear Ratio
 - 1/41
- Duty Load (Kg)
 - 408 / 544 / 680 / 800
- Power (Kw)
 - 3.7 / 4.5 / 5.5
- Speed (m/sec)
 - 0.32 / 0.63 / 1.00
- Sheave Range (mm)
 - 300 / 400 / 530 / 560 / 610
- Brake Voltage (D.C)
 - 110 V
- Oil Capacity (Ltr)
 - 3.0



ELECTRO MAGNETIC BRAKE		
Voltage (V)	Current (A)	Watt (W)
110	1.16	128

Highly Customizable



Duty Load		Roping	Async. Speed m/sec	Ratio	Motor Detail		RPM (Async.)	Rate Current (A)	Travelling - 26 mtr Sheave Specification Sheave Dia. X Rope Dia. X No. of Groove
Person	Kg.				Kw	HP			
6	408	1:1	0.63	1/41	3.7	5	930	8.8	530 X 13 mm X 3 Grv.
			1.00	1/41	3.7	5	1440	8.8	530 X 13 mm X 3 Grv.
8	544	1:1	0.63	1/41	5.5	7.5	930	11.5	530 X 13 mm X 3 Grv.
			1.00	1/41	5.5	7.5	1440	11.5	530 X 13 mm X 3 Grv.
10	680	2:1	0.32	1/41	3.7	5	930	8.8	530 X 13 mm X 3 Grv.
			0.32	1/41	5.5	7.5	930	11.5	530 X 13 mm X 3 Grv.

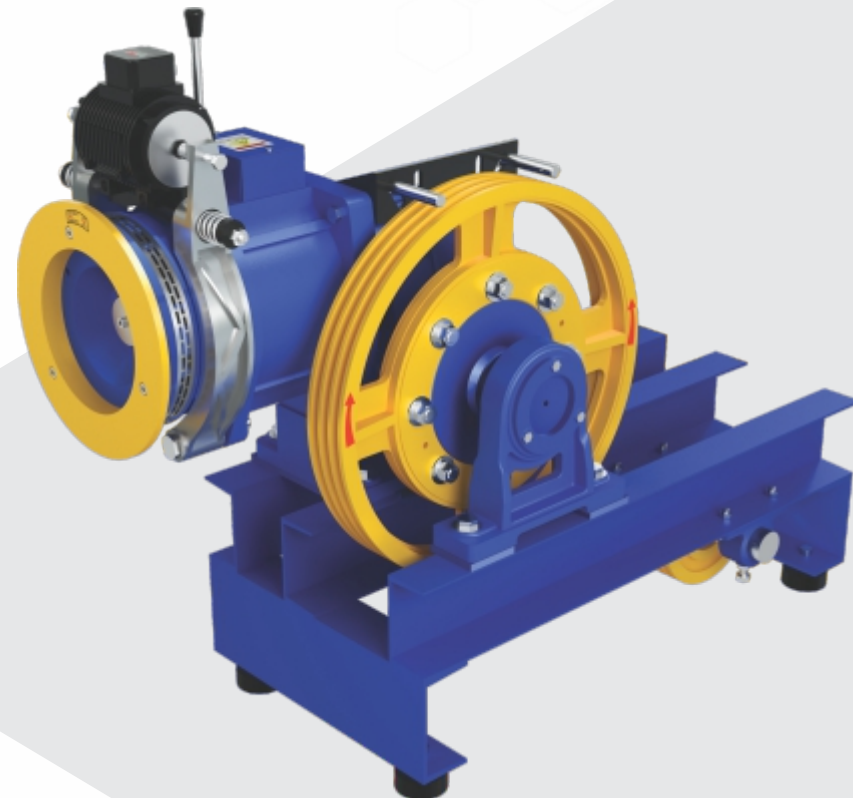
CONTROLLER - ACVVVF Drive

SYD-125N-CTOC

SYD-125N-CTOC is a new age machine which is driven by technology. It is user friendly, powerful and can be customized for specific cabin size.

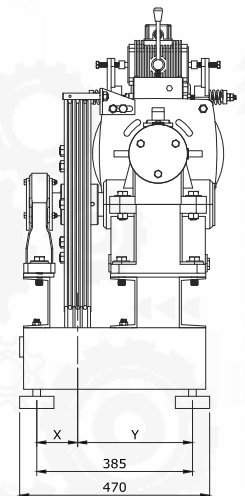
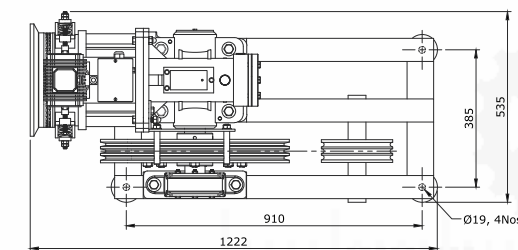
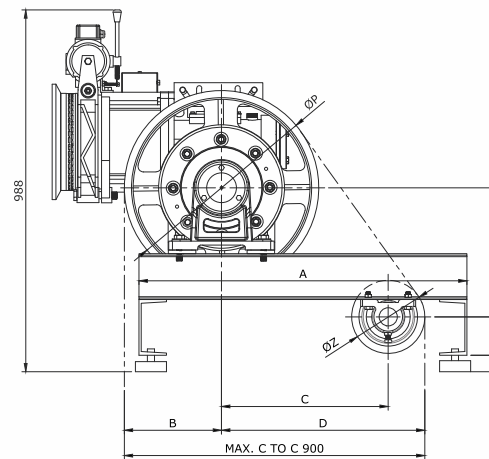
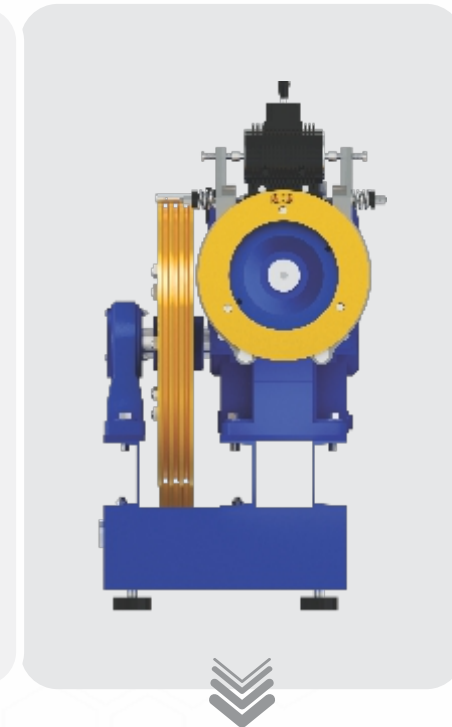
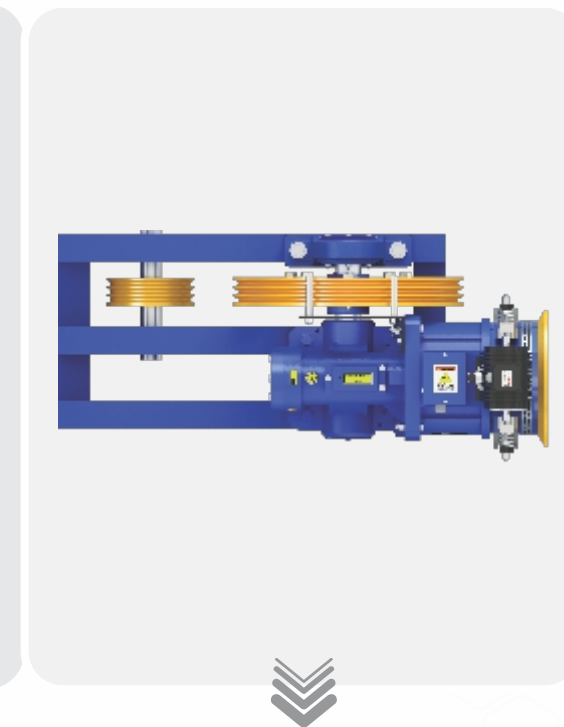
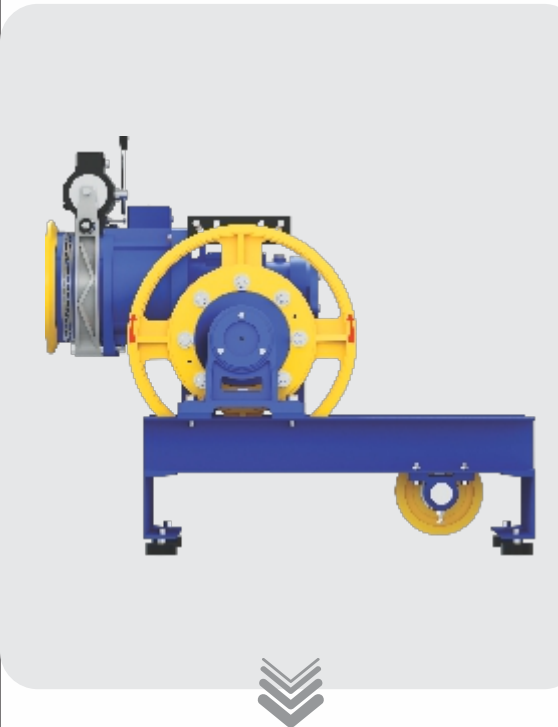
Technical Specifications

- Static Load (Kg)
 - 3000
- Gear Ratio
 - 1/41
- Duty Load (Kg)
 - 408 / 544
- Power (Kw)
 - 3.7 / 5.5
- Speed (m/sec)
 - 0.63 / 1.00
- Sheave Range (mm)
 - 300 / 400 / 530 / 560 / 610
- Brake Voltage (D.C)
 - 110 V
- Oil Capacity (Ltr)
 - 3.0



ELECTRO MAGNETIC BRAKE		
Voltage (V)	Current (A)	Watt (W)
110	1.16	128

Technology Driven Machine



Duty Load		Roping	Async. Speed m/sec	Ratio	400V		50 Hz		Travelling - 26 mtr
Person	Kg.				Kw	HP	RPM (Async.)	Rate Current (A)	
6	408	1:1	0.63	1/41	3.7	5	930	8.8	530 X 13 mm X 3 Grv.
			1.00	1/41	3.7	5	1440	8.8	530 X 13 mm X 3 Grv.
8	544	1:1	0.63	1/41	5.5	7.5	930	11.5	530 X 13 mm X 3 Grv.
			1.00	1/41	5.5	7.5	1440	11.5	530 X 13 mm X 3 Grv.

CONTROLLER - ACVVVF Drive

SYD-125 DUMBWAITER

SYD 125-Dumbwaiter is one of the most superior and cost effective machines build specially for industrial applications. It has superior working cycle which is best in class and ideal for applications @ resorts, hotels, restaurants hospitals etc.

Technical Specifications

Static Load (Kg)

- 3000

Gear Ratio

- 1/41

Duty Load (Kg)

- 500 / 1000

Power (Kw)

- 3.7 / 5.5

Speed (m/sec)

- 0.3

Sheave Range (mm)

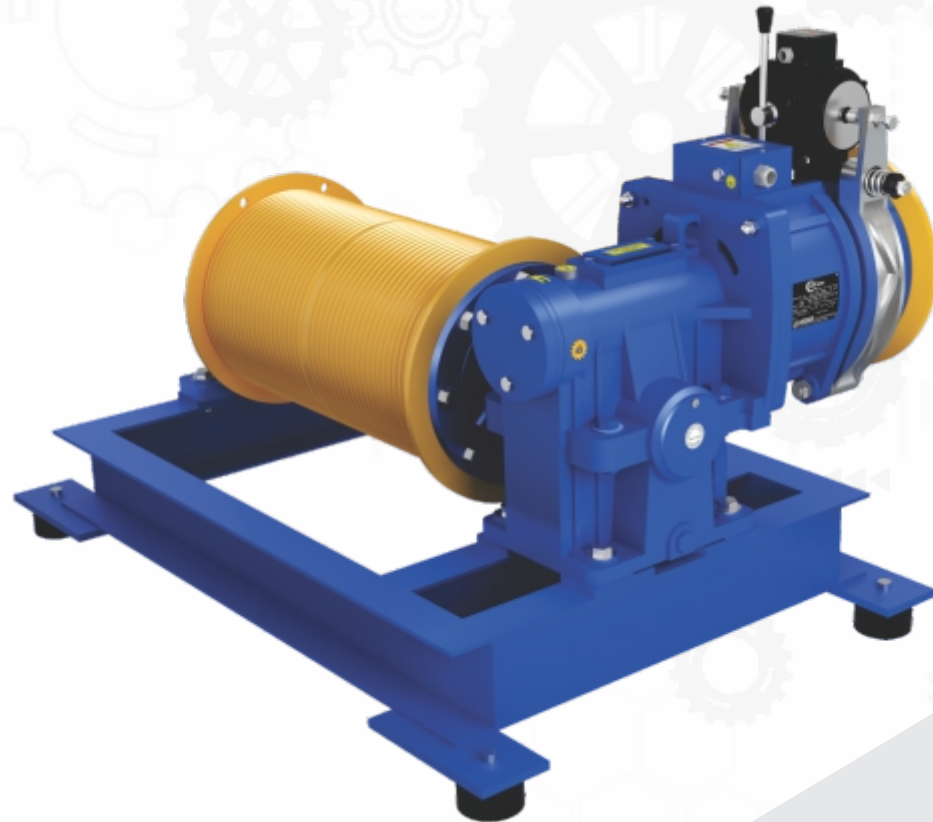
- DRUM

Brake Voltage (D.C)

- 110 V

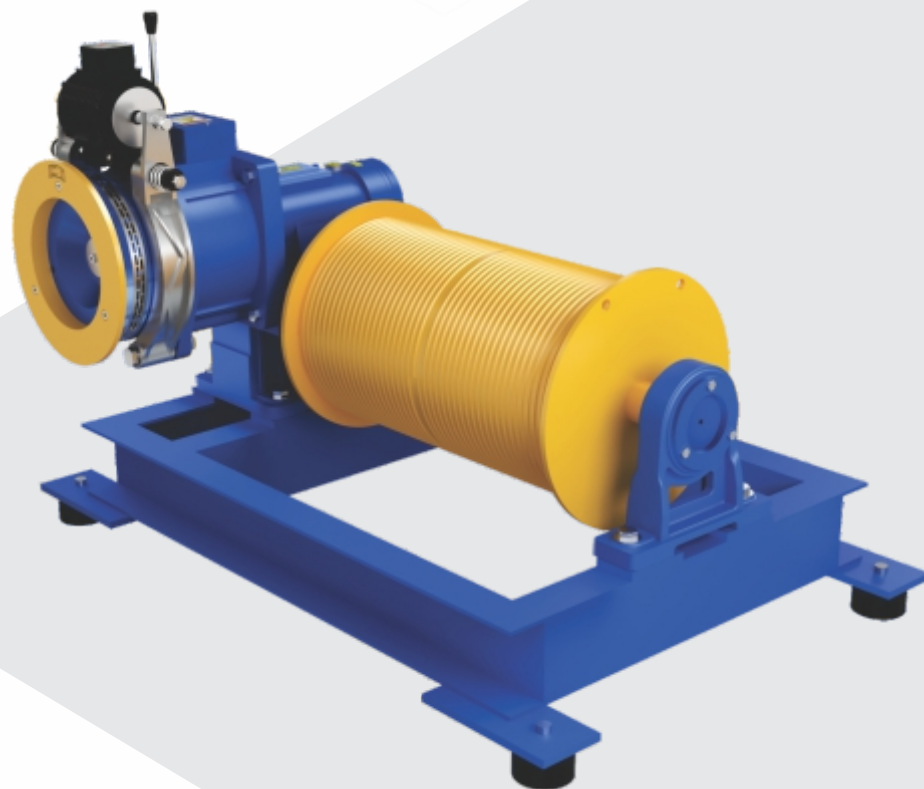
Oil Capacity (Ltr)

- 3

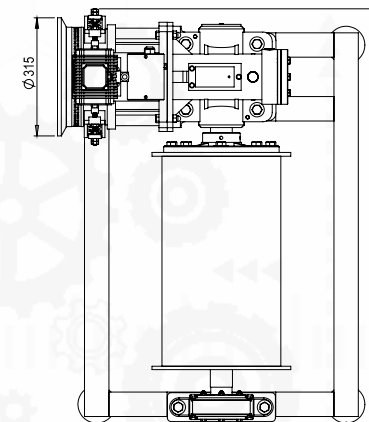
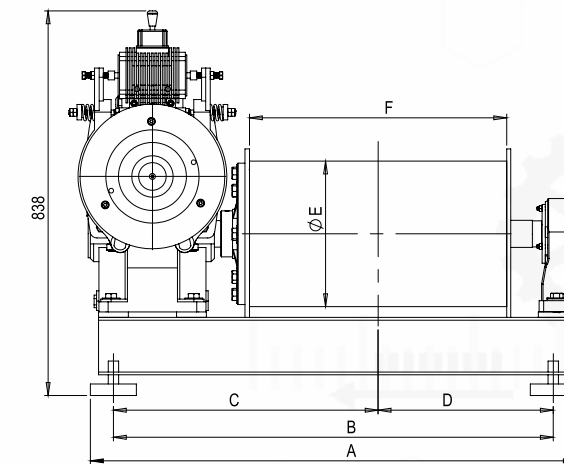
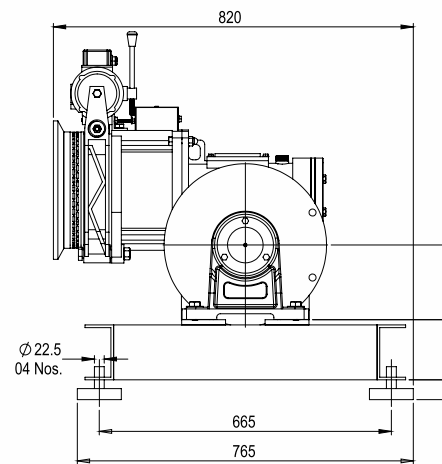
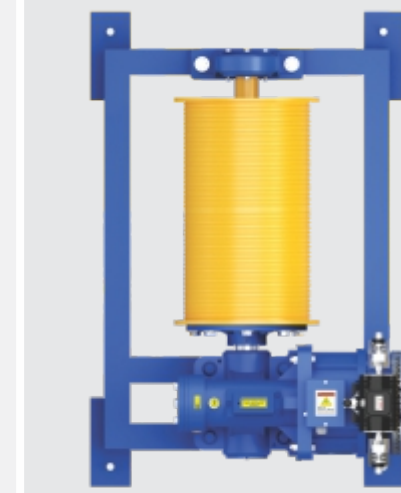
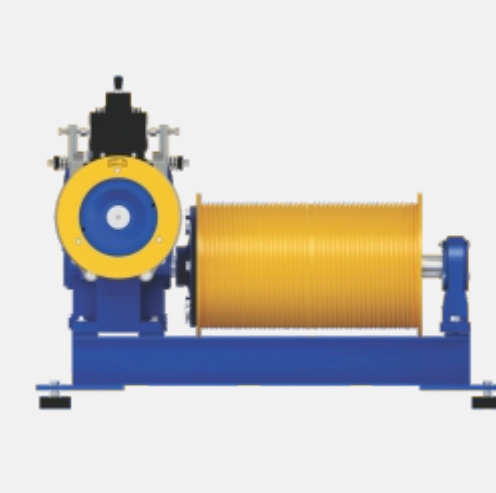
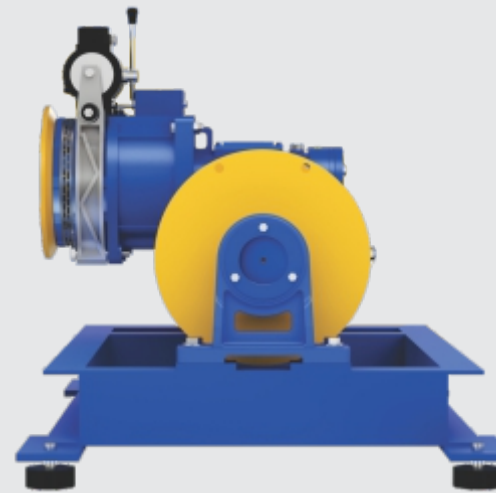


ELECTRO MAGNETIC BRAKE

Voltage (V)	Current (A)	Watt (W)
110	1.16	128



Superior & Cost Effective



When it comes to elevator gear machinery,
Always Choose SHYPOD ENGINEERS



SYD 135 is the most advanced and popular machine which is specially designed for high rise buildings with a capacity to hold more than 6 passengers. It is a new age heavy duty machine which is designed with gen-next technology.

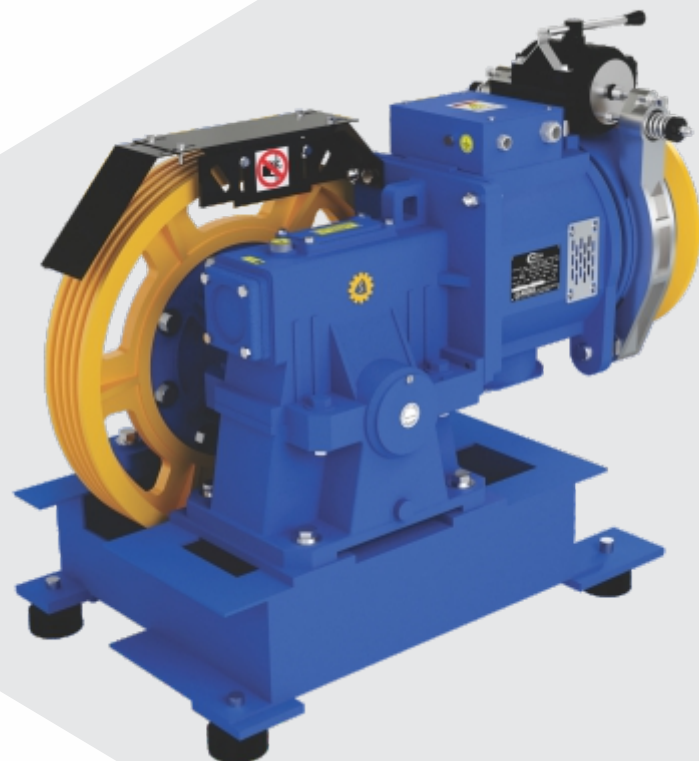
Technical Specifications

- Static Load (Kg)
 - 3800
- Gear Ratio
 - 1/45
- Duty Load (Kg)
 - 680 / 1200
- Power (Kw)
 - 7.5
- Speed (m/sec)
 - 0.50 / 1.00
- Sheave Range (mm)
 - 530 / 560
- Brake Voltage (D.C)
 - 110 V
- Oil Capacity (Ltr)
 - 3.5

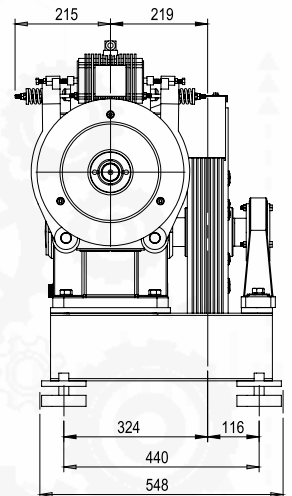
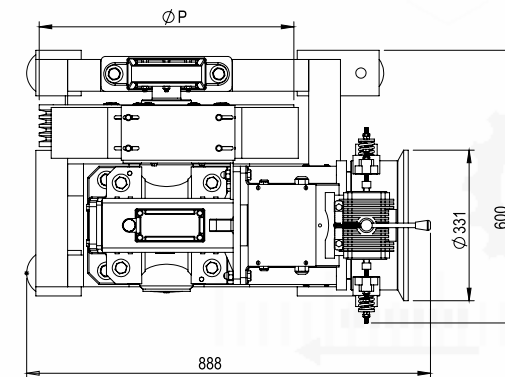
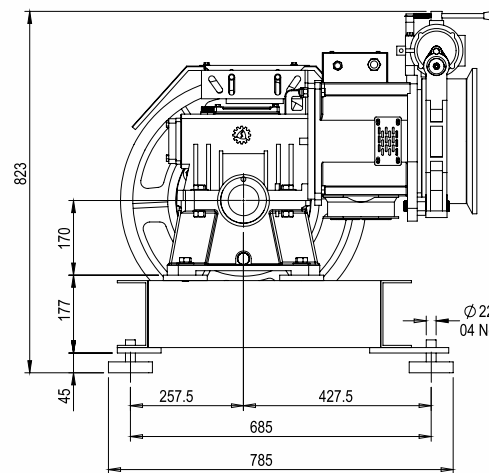
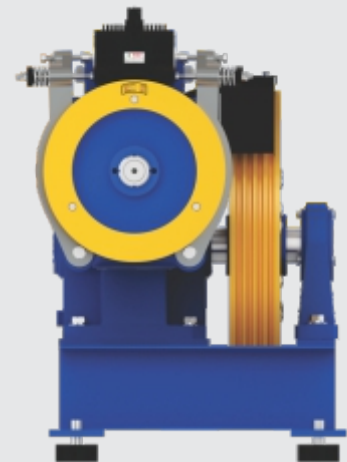
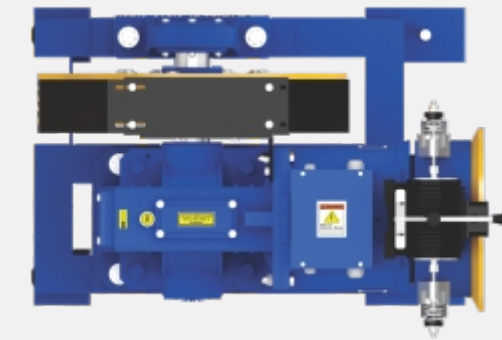
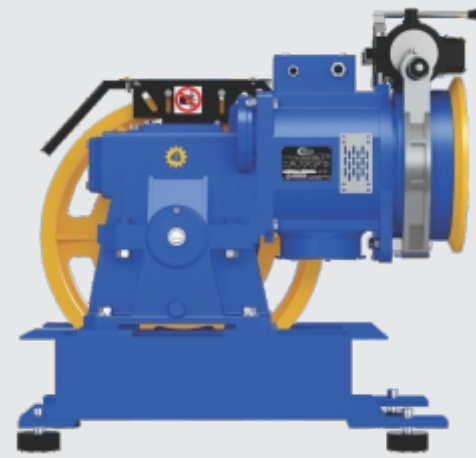


ELECTRO MAGNETIC BRAKE

Voltage (V)	Current (A)	Watt (W)
110	1.16	128



The Most Advanced



Duty Load		Roping	Async. Speed m/sec	Ratio	Motor Detail		RPM (Async.)	Rate Current (A)	Travelling - 30 mtr Sheave Specification Sheave Dia. X Rope Dia. X No. of Groove
Person	Kg.				Kw	HP			
10	680	1:1	1	1/45	7.5	10	1430	14.5	560 X 13 mm X 4 Grv.
	1200	2:1	0.50	1/45	7.5	10	1430	14.5	560 X 13 mm X 4 Grv.

CONTROLLER - ACVVVF Drive